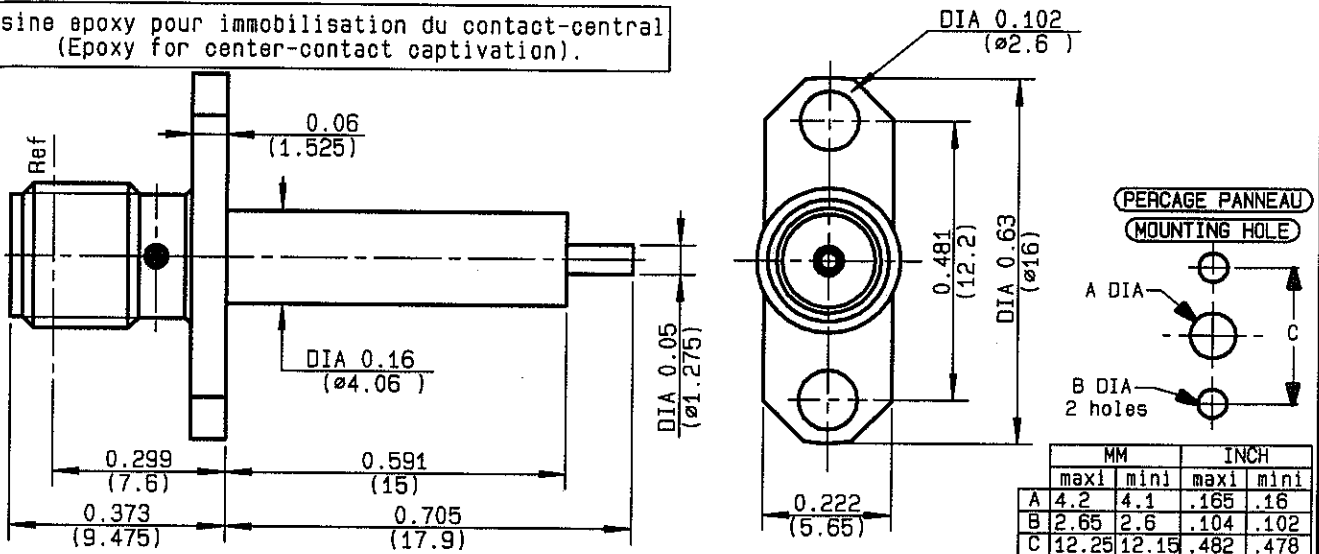


**ADJUST. 2 HOLES FLANGE JACK RECEPTACLE  
WITH CYLINDRICAL CONTACT**

**R124.464.275**  
**SERIES SMA-COM**

Resine epoxy pour immobilisation du contact-central  
(Epoxy for center-contact captivation).



NOMINAL IMPEDANCE	<b>50</b>	$\Omega$
FREQUENCY RANGE	<b>0-18</b>	GHz
TEMPERATURE RATING	<b>-65/+165</b>	$^{\circ}$ C
V.S.W.R	<b>1.04 + .0067</b>	$\times$ F(GHz)Maxi
RF INSERTION LOSS	<b>0.07</b>	$\sqrt{F}$ (GHz) dB Maxi
VOLTAGE RATING	<b>500</b>	Veff Maxi
DIELECTRIC WITHSTANDING VOLTAGE	<b>1000</b>	Veff Mini
INSULATION RESISTANCE	<b>5000</b>	M $\Omega$ Mini
HERMETIC SEAL	<b>NA</b>	Atm.cm <sup>3</sup> /s
LEAKAGE (pressurized only)	<b>NA</b>	
MECHANICAL DURABILITY	<b>100</b>	Cycles
WEIGHT	<b>2.26</b>	gr
SPECIFICATION		

CABLES :

OTHERS CHARACTERISTICS

**cc17.9-1s15-tro12.7-re**

CABLE RETENTION	<b>NA</b>	N Mini
CENTER CONTACT RETENTION		
Axial force - mating end	<b>27</b>	N Mini
Axial force - opposite end	<b>27</b>	N Mini
Torque	<b>2.8</b>	cm.N Mini
RECOMMENDED TORQUES		
Mating	<b>NA</b>	cm.N
Panel nut	<b>NA</b>	cm.N
Clamp nut	<b>NA</b>	cm.N

CONNECTOR PARTS	MATERIALS	FINISH	(all values are given in micrometers)
BODY	BRASS	BBR 2	
OUTER CONTACT			
CENTER CONTACT	BERYLLIUM COPPER	GOLD 1.3 OVER COPPER 2.5	
INSULATOR	PTFE	-	
GASKET		-	
OTHERS PIECES			

ISSUE	CREATION DATE	FILE PART-NUMBER
<b>9836A00</b>	<b>16-JUL-96</b>	<b>96-1200-025</b>



Connect to the future

The information given here is subject to change without notice.  
Design changes may be in order to improve the product.

TRIQUIL